

Datasheet:



CO2 Dock for MICRO:BIT

V1A - 2024-11-08

This board provides a CO2, temperature and Relative Humidity measurements to a BBC micro:bit.

- Powered by the micro:bit
- SCD41 CO2 Sensor
- LED power indicator
- Relative Humidity
- Temperature
- I2C interface

Absolute Maximum Ratings

		Units
Max. supply voltage	5.5	V

Electrical Characteristic

		Units
Max. Current consumption	20	mA
Supply voltage	2.4-5.5	V

Sensing (SCD41 Sensor)

		Units
CO2 concentration range	400-5000	ppm
Temperature	-10-+60	C
Relative humidity	0-100	%

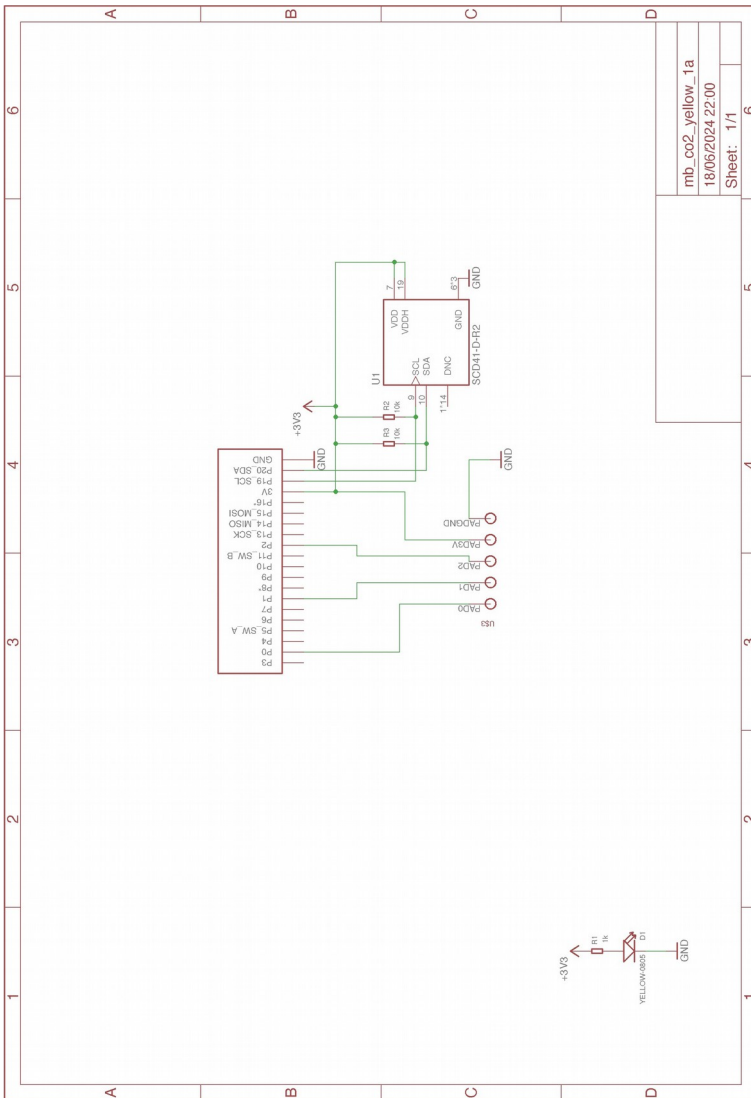


Sensing Specification

This board uses the SCD41 Sensirion sensor Module. For more information on the sensors' accuracy and precision, see the link below.

https://sensirion.com/media/documents/48C4B7FB/6426E14D/CD_DS_SCD40_SCD41_Datasheet_D1_052023.pdf

Schematic



mb_co2_yellow_1a
18/06/2024 22:00
Sheet: 1/1